



The Indoor Collection
CARIBBEAN SHALLOW
 Low Profile Luminaire (ADA) — Selectable Wattage & LED



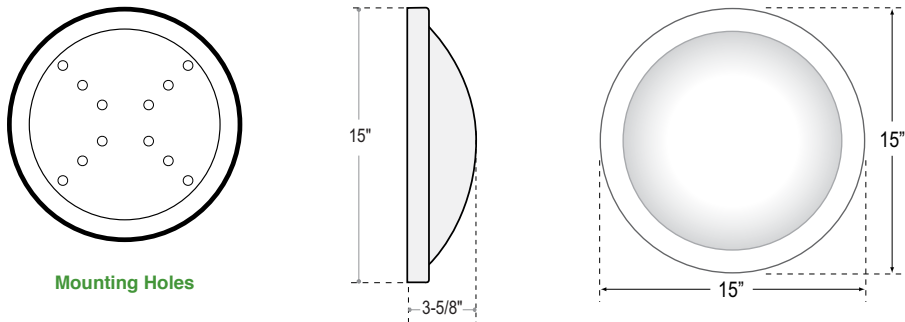
order example:
CAR-S-SLED-SCCT-UNV-WHT-OCC

SERIES	CAR-S Caribbean Shallow Series
LED WATTAGE	Note: Refer to Chart for Wattage / Lumen Output SLED Selectable LED Wattages: 21W 28W
LED COLOR TEMPERATURE (CCT)	SCCT Selectable CCT: 3000K 3500K 4000K 5000K
VOLTAGE	UNV 120/277 Universal Volt Electronic Driver
STANDARD FINISH	BK Black BZ Bronze PA Painted Aluminum WHT White — Standard
PREMIUM UPCHARGE FINISH	CC Custom Color (Visit www.ralcolor.com) — Provide RAL# or Make-to-Match Color Chip +NAT Conformal Coating - Light Engine Only
CONTROL OPTIONS	SENSOR CONTROL (Sensor Integral to Fixture) OCC Occupancy Sensing Motion Sensor Integral — Microwave / Single Feed / 120/277 Only — Stand-by Dim Level Presets: On/Off (0%/100%) — Max Mounting Height of Fixture: 18ft
MISC OPTIONS	FUS Single Fusing
ACCESSORY OPTIONS	Order As A Separate Line REMT Remote Controller for Sensor Options TPD Tamperproof Screwdriver

WATTAGE / LUMEN INFORMATION

Wattage	CCT	Lumens	Efficacy
21 Watt	3000K	3,100 Lumens	148 lm/W
	3500K	3,125 Lumens	149 lm/W
	4000K	3,150 Lumens	150 lm/W
	5000K	3,200 Lumens	152 lm/W
28 Watt	3000K	4,100 Lumens	144 lm/W
	3500K	4,125 Lumens	145 lm/W
	4000K	4,150 Lumens	146 lm/W
	5000K	4,200 Lumens	147 lm/W

DIMENSIONS



Catalog Number	
Project Name & Location	Type

Product Specifications

DIFFUSER: Opal white polycarbonate is standard.

DRIVER: Universal Volt (120~277V) Electronic Driver. 0-10V Low Voltage Dimming (100% to 30%) is Standard.

FINISH: Polyester powder coat white Standard. Optional Custom Colors.

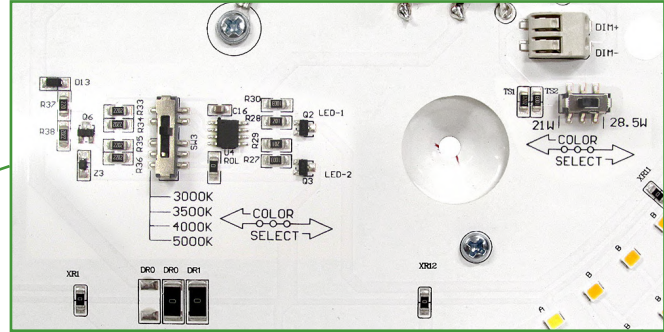
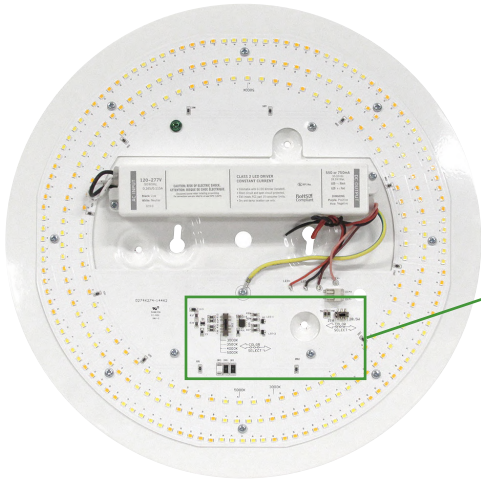
GASKETING: High temp, non-aging black EPDM gasketed seal. Seals diffuser to cast housing to protect against outside contaminants.

HOUSING: Spun aluminum housing with built-in heatsinks for thermal management.

MOUNTING: Indoor Surface, Wall or Ceiling.

COMPLIANCE: Built to comply with U.S. and Canadian Safety Standards. **Buy American Act, Build America/Buy America Act, and ADA Compliant.**

SELECTABLE LED WATTAGE/CCT



Selectable LED Wattage/CCT Switches
Located on LED Board