



The Americana Collection

AME ROUND (Selectable Wattage/CCT Series)

High Abuse Round Wall Sconce — Selectable Wattage / CCT



Ame Round Atlanta (AM-R-AL)



Ame Round Boston (AM-R-BN)



Ame Round Chicago (AM-R-CH)



Ame Round Cleveland (AM-R-CD)



order example:

AM-R-BN-SLED-SCCT-UNV-BK-OCC

SERIES

AM-R-AL Ame Round Atlanta Series

AM-R-BN Ame Round Boston Series

AM-R-CH Ame Round Chicago Series

AM-R-CD Ame Round Cleveland Series

LED WATTAGE

Note: Refer to Chart for Wattage / Lumen Output

SLED *Selectable LED Wattages: 18W | 20W | 22W

LED COLOR TEMPERATURE (CCT)

SCCT *Selectable CCT: 3000K | 4000K | 5000K

VOLTAGE

UNV 120-277 Universal Volt Electronic Driver

– Non-Dimmable

STANDARD FINISH

BK Black

BZ Bronze

PA Painted Aluminum

WHT White

PREMIUM UPCHARGE FINISH

CC Custom Color (Visit www.ralcolor.com)

– Provide RAL# for Make-to-Match Color Chip

PHOTOCELL OPTION

Note: Cannot be used with Sensor Option Below

PHOT Photocell

OR

SENSOR OPTION (Sensor Integral to Fixture)

Note: Cannot be used with Photocell Option Above

OCC Occupancy Sensing / Motion Sensor Integral
– Operational at 18 Watt Only

MISC OPTION

ST Solid Top (No Direct Uplight)

TP Torx Tamperproof Screws

ACCESSORY OPTIONS

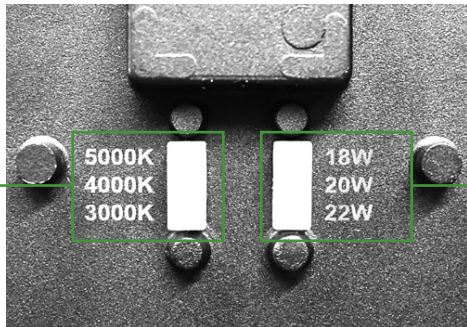
Order As A Separate Line

9008 T8 Torx Security Bit for Screwdriver

***NOTE:** Fixtures will ship from factory at lowest wattage and warmest CCT. It is the installer's responsibility to set the fixture at the desired wattage and CCT for their project.

Selectable Wattage / Lumen Output

Low Power	Medium Power	High Power
18 Watt (2160 Lumens)	20 Watt (2400 Lumens)	22 Watt (2640 Lumens)



Selectable CCT Switch
3000K | 4000K | 5000K

5000K
4000K
3000K

18W
20W
22W

Selectable Wattage Switch
18W | 20W | 22W

Selectable Wattage / CCT Switches
Located on Back of Fixture

Catalog Number

Project Name & Location

Type

Product Specifications

DRIVER: Universal Voltage 120/277V Electronic Driver. (Non-Dimming)

FINISH: Corrosion Resistant Polyester Powder Coated Finish.

HOUSING: Die Cast Aluminum Housing.

LENS: Anti-Yellowing and High Transmission Polycarbonate Diffuser.

LIGHT ENGINE: Energy Efficient Light Emitting Diode (LED) - Selectable Wattage / CCT.

Wattages: 18W, 20W or 22W / CCT: 3000K, 4000K or 5000K.

LED LIFETIME: ≥50,000hrs.

MOUNTING: Mounts to standard 3" and 4" recessed junction boxes via mounting strap. Can also be 4-point mounted via supplied mounting screws.

OPERATING AMBIENT TEMPERATURE: -20°C to +40°C (-4°F to 122°F)

COMPLIANCE: Built to comply with U.S. and Canadian safety standards. ETL, RoHS, ADA, and Buy American Act (BAA) Compliant. IP66 Rated, suitable for wet location.

WARRANTY: 5-Year Limited Warranty.



The Americana Collection

AME ROUND (Static Wattage/CCT Series)

High Abuse Round Wall Sconce — Static Wattage / CCT | Optional Emergency Battery



Ame Round Atlanta (AM-R-AL)



Ame Round Boston (AM-R-BN)



Ame Round Chicago (AM-R-CH)



Ame Round Cleveland (AM-R-CD)



order example:

AM-R-BN-LED15-CT4-UNV-BK-CA14-EM10W

SERIES

- AM-R-AL Ame Round Atlanta Series
- AM-R-BN Ame Round Boston Series
- AM-R-CH Ame Round Chicago Series
- AM-R-CD Ame Round Cleveland Series

LED WATTAGE

- LED10 10 Watt LED
- LED15 15 Watt LED

LED COLOR TEMPERATURE (CCT)

- CT3 ±3000K LED Color Temp
- CT35 ±3500K LED Color Temp
- CT4 ±4000K LED Color Temp
- CT5 ±5000K LED Color Temp

VOLTAGE

- UNV 120-277 Universal Volt Electronic Driver
– 0-10V Dimming (100-10%) is Standard

STANDARD FINISH

- BK Black
- BZ Bronze
- PA Painted Aluminum
- WHT White

PREMIUM UPCHARGE FINISH

- CC Custom Color (Visit www.ralcolor.com)
– Provide RAL# for Make-to-Match Color Chip

PHOTOCELL OPTION

- PHOT Photocell
– Requires Conduit Back Box (CA)

SENSOR OPTION (Sensor Integral to Fixture)

- OCC Occupancy Sensing / Motion Sensor Integral
– Requires Conduit Back Box (CA)

MISC OPTION

- ST Solid Top (No Direct Uplight)
- TP Torx Tamperproof Screws

CONDUIT ADAPTER OPTION

- CA14 14"H x 5"W x 1.5"D Conduit Adapter Back Box

EMERGENCY BATTERY OPTIONS

- Emergency Battery Options Meet California Energy Commission Title 20 [CEC-400-2014-009-CMF] Efficiency Standands (Cold Weather is NON-CEC)
- Cold Weather Emergency Batteries Temp Range: -20°C thru 50°C
- Emergency Batteries Require Conduit Adapter (CA Option)

EM10W Integral 10 Watt LED

EM10W- Integral 10 Watt LED - Cold Weather CW

ACCESSORY OPTIONS

Order As A Separate Line

- 9008 T8 Torx Security Bit for Screwdriver

Catalog Number	
Project Name & Location	Type

Product Specifications

DRIVER: Universal Voltage 120/277V Electronic Driver with 0-10V Dimming (100-10%).

FINISH: Corrosion Resistant Polyester Powder Coated Finish.

HOUSING: Die Cast Aluminum Housing.

LENS: Anti-Yellowing and High Transmission Polycarbonate Diffuser.

LIGHT ENGINE: Energy Efficient Light Emitting Diode (LED) - Static Wattage / CCT.

Wattages: 10W, 15W / CCT: 3000K, 3500K, 4000K or 5000K.

LED LIFETIME: ≥50,000hrs.

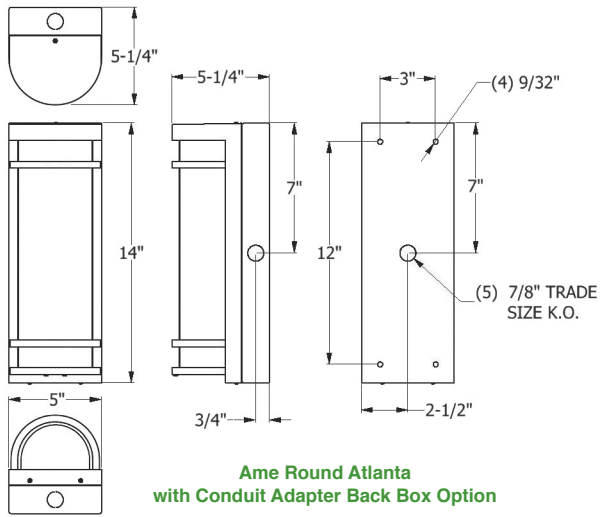
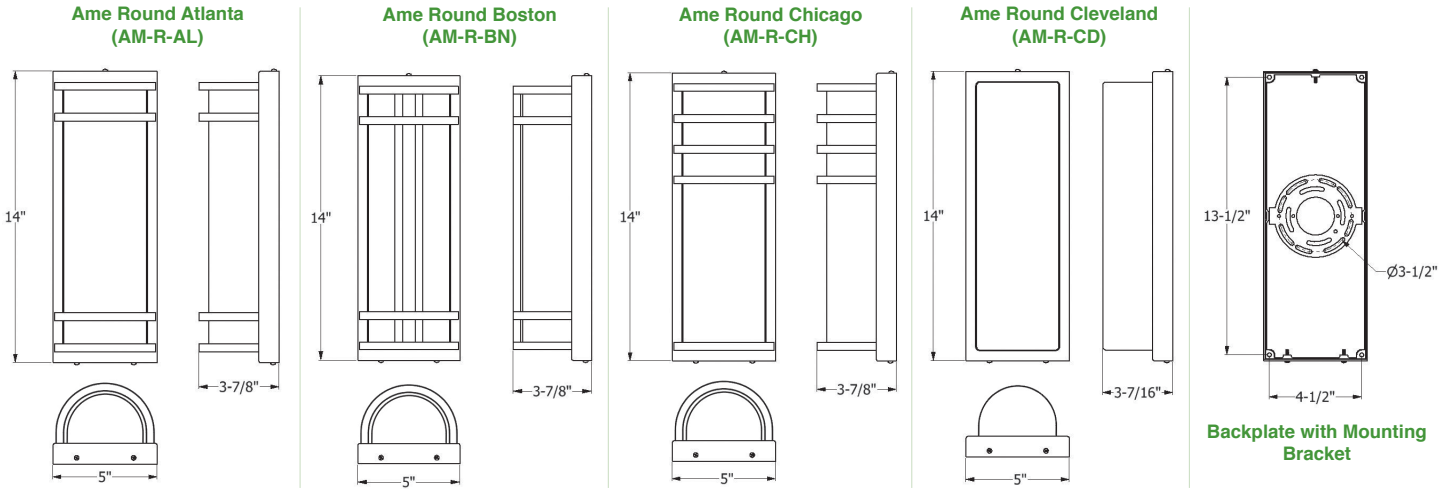
MOUNTING: Mounts to standard 3" and 4" recessed junction boxes via mounting strap. Can also be 4-point mounted via supplied mounting screws.

OPERATING AMBIENT TEMPERATURE: -20°C to +40°C (-4°F to 122°F)

COMPLIANCE: Built to comply with U.S. and Canadian safety standards. ETL, RoHS, ADA, and Buy American Act (BAA) Compliant. IP66 Rated, suitable for wet location.

WARRANTY: 5-Year Limited Warranty.

DIMENSIONS / OPTIONS



Ame Round Atlanta
 with Conduit Adapter Back Box Option



Shown with Optional
 Conduit Adapter Back Box



Solid Top (ST)
 No Direct Uplight