



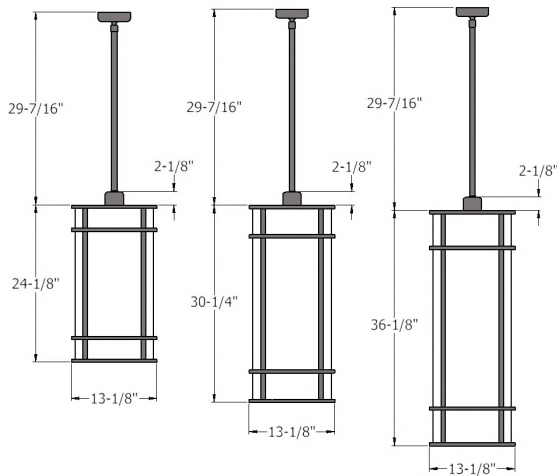
# The Americana Collection BOSTON PENDANT

Indoor — Cylinder / Pendant Luminaire



## DIMENSIONS

Dimensions Shown for 24" Stem Length



Catalog Number

Project Name & Location

Type



## Product Specifications

**CAGE:** Extruded aluminum bars. Top & Bottom bars are standard.

**DIFFUSER:** White translucent, non-yellowing 100% virgin acrylic, .125 Thick (1/8"), 12" I.D with top and bottom bars as standard.

See Lensing Options on Page 2 for details.

**DRIVER:** Universal Volt (120-277v) electronic driver with standard 0-10VDC dimming.

**FINISH:** Corrosion and Weather resistant, extremely durable pre-treated oven baked polyester powder.

**MOUNTING:** 36" stem is standard. Swivel and Static canopies as well as Rapid Mount options are available. See Page 2 for details.

**COMPLIANCE:** Built to comply with U.S. and Canadian safety standards. Meets Buy American Act (BAA) Requirements. Suitable for indoor dry locations.

## order example:

**BN-PM-36-SW24-LED60-DN15-CT3-80CRI-UNV-1D-BZ-TB-FUS**

### SERIES

BN-PM Boston Pendant

### SIZE

24 13" dia. x 24" long  
30 13" dia. x 30" long  
36 13" dia. x 36" long

### MOUNTING

Note: See Mounting Options on Page 2

ST24 24" Stem (1/2" Dia.) w/ Static Canopy  
ST(XX) Custom Stem Length (Specify) w/ Static Canopy  
SW24 24" Stem (1/2" Dia.) w/ Swivel Canopy  
SW(XX) Custom Stem Length (Specify) w/ Swivel Canopy  
CLSM Cluster Mounting (Consult Factory)

### LED WATTAGES

LEDxx Center LED (xx = Wattage, ex: LED40)  
– Center LED is Required  
UPxx Uplight LED (xx = Wattage, ex: UP10)  
DNxx Downlight LED (xx = Wattage, ex: DN10)

Center Light	40 Watt / 60 Watt
Uplight	10 Watt / 15 Watt
Downlight	10 Watt / 15 Watt

### Maximum Total Wattages

(Includes Center Light and Uplight and/or Downlight)  
Size 24 = 60W Max | Size 30 = 75W Max | Size 36 = 100W Max

### COLOR TEMPERATURE (CCT)

CT3 ±3000K LED Color Temp  
CT35 ±3500K LED Color Temp  
CT4 ±4000K LED Color Temp  
CT5 ±5000K LED Color Temp

### COLOR RENDERING INDEX (CRI)

80CRI 80 Color Rendering Index (STANDARD)  
90CRI 90 Color Rendering Index (Not Available for 5K)

### VOLTAGE

347 347 Volt  
UNV 120–277 Universal Volt Electronic Driver

### CONTROL SCENARIO

Note: Required for fixtures with Uplight and/or Downlight.  
See details on Page 3.  
Choose One = Ex: 1A

### FINISH

BK Black  
BZ Bronze  
PA Painted Aluminum  
SV Silver Gray  
WHT White

### PREMIUM UPCHARGE FINISH

CC Custom Color (Visit [www.ralcolor.com](http://www.ralcolor.com))  
– Provide RAL# or Make-to-Match Color Chip

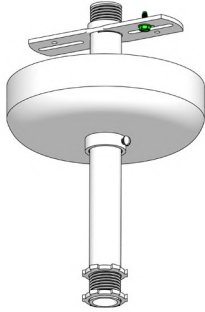
### INHIBITOR FINISH

+NAT Epoxy Coating for Natatorium

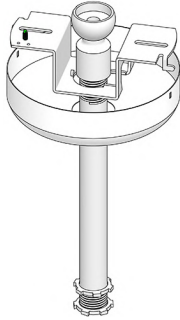
Additional Options on PAGE 2

**MOUNTING OPTIONS**

**ST24 - Static Canopy**  
 (Not to be used on Sloped Ceiling)



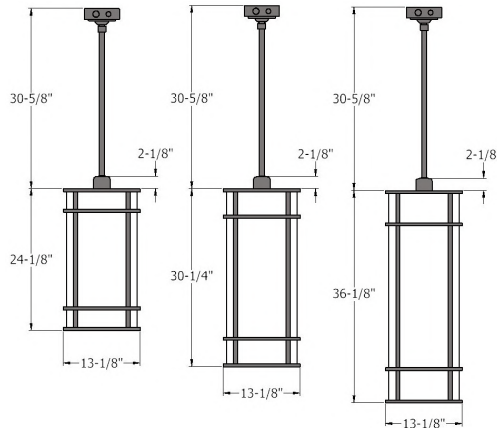
**SW24 - Swivel Canopy**



**(RMB) MOUNTING**



Dimensions Shown for 24" Stem Length



**TOP & BOTTOM LENSING**

**Note:** You must select both Top and Bottom Lensing. (See Page 3)

CT	Clear Top Lens
CB	Clear Bottom Lens
CTB	Clear Top & Bottom Lens
OT	Open Top (No Lensing)
OB	Open Bottom (No Lensing)
OTB	Open Top & Bottom (No Lensing)
OQT	Opaque Top (No Up Light)
OQB	Opaque Bottom (No Down Light)
OQTB	Opaque Top & Bottom (No Up or Down Light)
TT	Translucent Top Lens
TB	Translucent Bottom Lens
TTB	Translucent Top & Bottom Lens

**CONTROL OPTIONS**

**Note:** 0-10V 100%-30% is Standard

0-10D1 0-10VDC LED Dimming Driver (100-10%)

0-10D2 0-10VDC LED Dimming Driver (100-1%)

**MISC OPTIONS**

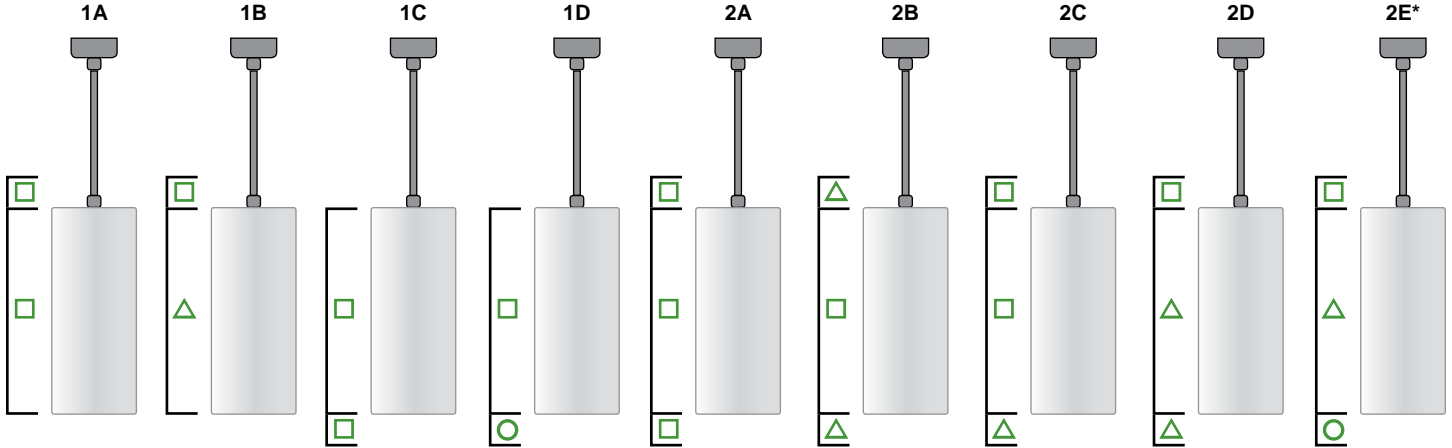
FUS Single Fusing

## CONTROL SCENARIO

- = Circuit #1
- △ = Circuit #2
- = Circuit #3

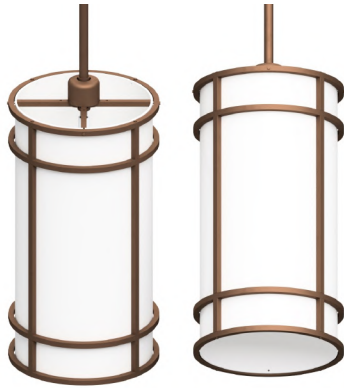
- Examples:
- & □ = Circuit #1A
  - & ○ = Circuit #1D
  - & △ & ○ = Circuit #2E

\*Not available on 24" fixtures

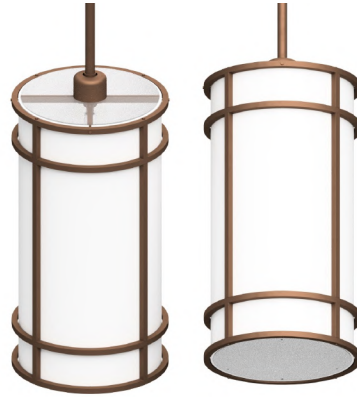


## TOP & BOTTOM LENSING (Required)

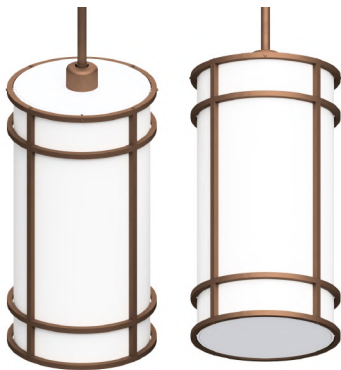
Open Top (OT) and/or Open Bottom (OB)  
*(Not available for Damp or Wet Installations)*



Clear Top (CT) and/or Clear Bottom (CB)



Translucent Top (TT) and/or Translucent Bottom (TB)



Opaque Top (OQT) and/or Opaque Bottom (OQB)

