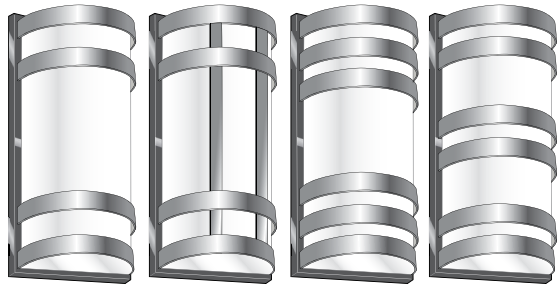


ROUND DIFFUSER



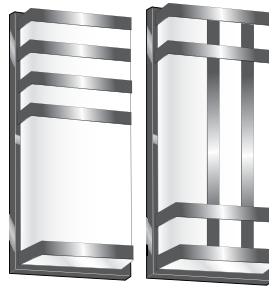
Flat Band
Atlanta
(FB-AL)

Flat Band
Boston
(FB-BN)

Flat Band
Dayton
(FB-DN)

Flat Band
Glendale
(FB-GDL)

SQUARE DIFFUSER



Flat Band
Dallas
(FB-DA)

Flat Band
Louisville
(FB-LV)

TRIANGULAR DIFFUSER



Flat Band
Artesia
(FB-AE)

Flat Band
Carmi
(FB-CR)

Flat Band
Carmi 2
(FB-CR2)

Flat Band
Quincy
(FB-QN)

Flat Band
New York
(FB-NY)

SIZE	DIMENSIONS	WATTAGE
16"	8¼"W X 16"H x 5½"D	20W
21"	9¼"W X 21"H x 5½"D	20W / 30W
26"	12¼"W X 26¼"H x 7¼"D	40W / 60W

Catalog Number

Project Name & Location

Type



Product Specifications

BACKPLATE: 16 Ga. aluminum (AL).

BACKBOX: 16 Ga. aluminum (AL) with wire access on four sides and back through 7/8" dia. KO flat-tened water tight.

CAGE: Modular design using 1-1/4" wide flat aluminum bands (FB) permanently secured by hidden means to the frame.

DIFFUSER: White translucent, fully enclosed non-yellowing 100% virgin acrylic, .125 Thick (1/8").

DRIVER: Universal Volt (120-277v) electronic driver with 0-10VDC dimming is standard.

FASTENERS: Stainless steel tamperproof screws —(2) To secure cage/frame in place.

FINISH: Corrosion and Weather resistant, extremely durable pre-treated oven baked polyester powder.

GASKETING: High Temp., non-aging black EPDM and/or neoprene rubber around the entire lens perimeter & rear wire entrance hole to protect against dust, moisture & outside contaminants.

MOUNTING: Use (4) or (6) 5/16" diameter holes for 1/4" diameter bolts for outdoor or indoor. 7/8" KO in Center for Wire Access. Must derate lamping for horizontal.

COMPLIANCE: Built to comply with U.S. and Canadian safety standards. Buy American Act (BAA) Compliant. Suitable for wet locations.

Order Example:

FB-AL-26-LED40-CT4-80CRI-UNV-BK-PHTD-CA26

STYLE

FB-AE Flat Band Artesia

FB-AL Flat Band Atlanta

FB-BN Flat Band Boston

FB-CR Flat Band Carmi

FB-CR2 Flat Band Carmi 2

FB-DA Flat Band Dallas

FB-DN Flat Band Dayton

FB-GDL Flat Band Glendale

FB-LV Flat Band Louisville

FB-NY Flat Band New York

FB-QN Flat Band Quincy

SIZE

16 16" Height x 8.25" Width x 5.5" Depth

21 21" Height x 9.25" Width x 5.5" Depth

26 26" Height x 12.25" Width x 7.25" Depth

MOUNTING

BLANK Wall Mount (Standard)

HM Horizontal Mount
— Requires Conduit Back Box (CA)

LED WATTAGE

Note: Refer to chart for size/wattage compatibility.

LEDxx LED (xx = Wattage, ex: LED20)

LED COLOR TEMPERATURE (CCT)

CT3 ±3000K LED Color Temp

CT35 ±3500K LED Color Temp

CT4 ±4000K LED Color Temp

CT5 ±5000K LED Color Temp

COLOR RENDERING INDEX (CRI)

80CRI 80 Color Rendering Index (STANDARD)

90CRI 90 Color Rendering Index (Not Available for 5K)

VOLTAGE

347 347 Volt

UNV 120-277 Universal Volt Electronic Driver

STANDARD FINISH

BK Black

BZ Bronze

PA Painted Aluminum

SV Silver Gray

WHT White

PREMIUM UPCHARGE FINISH

CC Custom Color (Visit www.ralcolor.com)
— Provide RAL# or Make-to-Match Color Chip

INHIBITOR FINISH

+NAT Epoxy Coating for Natatorium

+OFC Epoxy Coating for Ocean Front Environments

DIFFUSER OPTIONS

CB Clear Bottom

CT Clear Top

CTB Clear Top & Bottom (Standard with Up/Down Light)

OB Open Bottom (Indoor Only)

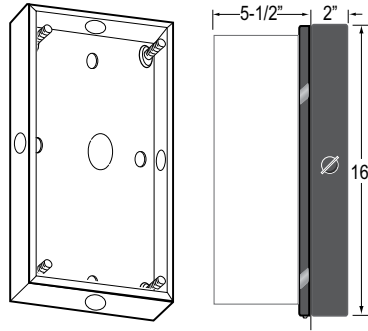
OQB Opaque Bottom (No Down Light)

OQT Opaque Top (No Up Light)

OQTB Opaque Top & Bottom (No Up/Down Light)

Additional Options on PAGE 2

Why the Back Box?



Backbox shown with Americana 16 size.

Back Box Required for:
 Photocell, Emergency Battery, Surface Mounted Conduit Applications and Specific LED Configurations

PHOTOCELL OPTIONS

PHTD Photocell Button (120/277V)
 – Requires Conduit Back Box (CA)

CONTROL OPTIONS (Choose from Manual or Sensor)

MANUAL CONTROL (Wall Switch or Control System)
Note: Cannot be used with Sensor Controls Below
Note: 0-10V (100-30%) Dimming is Standard

0-10D1 0-10VDC LED Dimming Driver (100-10%)

0-10D2 0-10VDC LED Dimming Driver (100-1%)

BLS Bi-Level Switching (Includes Two Drivers)
 – Requires Conduit Back Box (CA)
 – NOT Compatible with Uplight / Downlight

OR

SENSOR CONTROL (Sensor Integral to Fixture)
Note: Cannot be used with Manual Controls Above
Note: Sensor Controls are not compatible with Full Shield Styles: RD-HRD, RD-RE, RD-TI, SE
Note: Motion Sensor Max Mounting Height 18-Feet

OCC Occupancy Sensing / Motion Sensor Integral
 – Microwave / Single Feed / 120/277 Only
 – Stand-by Dimming Level Presets: ON/OFF
 – NOT Compatible with Uplight / Downlight

BLD Bi-Level Dimming - Motion Sensor Integral
 – Microwave / Single Feed / 120/277 Only
 – Stand-by Dimming Level Presets:
 10% / 20% / 30% / 50%
 – NOT Compatible with Uplight / Downlight
 Note: Available on 16" and larger fixtures only.

CONDUIT ADAPTER BACK BOX OPTIONS

CA16 16" x 2" Backbox

CA21 21" x 2" Backbox

CA26 26" x 2" Backbox

MISC OPTIONS

ATBS Aluminum Top / Bottom Shield
 – No Uplight / Downlight

FUS Fuse and Fuseholder

DFUS Dual Fuse and Fuseholder

EMERGENCY BATTERY OPTIONS

- Emergency Battery are for Center Light Only
- Meets California Energy Commission Title 20 [CEC-400-2014-009-CMF] Efficiency Standards (Cold Weather is NON-CEC)
- Cold Weather Emergency Batteries Temp Range: -20°C thru 50°C
- Integral Emergency Battery Options Requires Conduit Adapter (CA Option)

EM4W Integral 4 Watt LED

EM8W Integral 8 Watt LED

EM10W Integral 10 Watt LED

EM16W Integral 16 Watt LED

EM10W- Integral 10 Watt LED - Cold Weather CW

REM4W Remote 4 Watt LED

REM8W Remote 8 Watt LED

REM10W Remote 10 Watt LED

REM16W Remote 16 Watt LED

REM10W- Remote 10 Watt LED - Cold Weather CW

ACCESSORY OPTIONS (Order as a Separate Line)

TPD Tamperproof Screwdriver

REMT Remote Controller for Sensor Options