



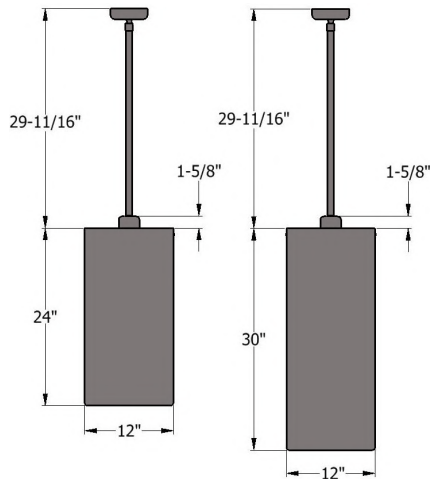
# The Americana Collection RICHMOND PENDANT

Indoor — Cylinder / Pendant Luminaire



## DIMENSIONS

Dimensions Shown for Custom 24" Stem Length



Catalog Number

Project Name & Location

Type



## Product Specifications

**CYLINDER:** 14 gauge (0.064") thick rolled and welded aluminum.

**DRIVER:** Universal Volt (120-277v) electronic driver with standard 0-10VDC dimming.

**FINISH:** Corrosion and Weather resistant, extremely durable pre-treated oven baked polyester powder.

**MOUNTING:** 36" stem is standard. Swivel and Static canopies as well as Rapid Mount options are available. See Page 2 for details.

**COMPLIANCE:** Built to comply with U.S. and Canadian safety standards. Meets Buy American Act (BAA) Requirements. Suitable for indoor dry locations.

## order example:

RD-PM-30-SW24-DN20-CT4-80CRI-UNV-1D-BZ-FUS

### SERIES

RD-PM Richmond Pendant

### SIZE

24 13" dia. x 24" long

30 13" dia. x 30" long

### MOUNTING

**Note:** See *Mounting Options* on Page 2

ST24 24" Stem (1/2" Dia.) w/ Static Canopy

ST(XX) Custom Stem Length (Specify) w/ Static Canopy

SW24 24" Stem (1/2" Dia.) w/ Swivel Canopy

SW(XX) Custom Stem Length (Specify) w/ Swivel Canopy

CLSM Cluster Mounting (Consult Factory)

RMB Rapid Mount Box

### DOWNLIGHT WATTAGE (Required)

DN10 LED Downlight 10 Watt

DN15 LED Downlight 15 Watt

DN20 LED Downlight 20 Watt

### UPLIGHT WATTAGE (Optional)

UP10 LED Uplight 10 Watt

UP15 LED Uplight 15 Watt

### COLOR TEMPERATURE (CCT)

CT3 ±3000K LED Color Temp

CT35 ±3500K LED Color Temp

CT4 ±4000K LED Color Temp

CT5 ±5000K LED Color Temp

### COLOR RENDERING INDEX (CRI)

80CRI 80 Color Rendering Index (STANDARD)

90CRI 90 Color Rendering Index (Not Available for 5K)

### VOLTAGE

347 347 Volt

UNV 120-277 Universal Volt Electronic Driver

### CONTROL SCENARIO

**Note:** Required for fixtures with Uplight and/or Downlight. See details on Page 3.

Choose One = Ex: 1A

### STANDARD FINISH

BK Black

BZ Bronze

PA Painted Aluminum

SV Silver Gray

WHT White

### PREMIUM UPCHARGE FINISH

CC Custom Color (Visit [www.ralcolor.com](http://www.ralcolor.com))

— Provide RAL# or Make-to-Match Color Chip

### INHIBITOR FINISH

+NAT Epoxy Coating for Natatorium

### TOP & BOTTOM LENSING

**Note:** You must select both Top and Bottom Lensing. (See Page 3)

CT Clear Top Lens

CB Clear Bottom Lens

CTB Clear Top & Bottom Lens

OT Open Top (No Lensing)

OB Open Bottom (No Lensing)

OTB Open Top & Bottom (No Lensing)

OQT Opaque Top (No Up Light)

TT Translucent Top Lens

TB Translucent Bottom Lens

TTB Translucent Top & Bottom Lens

Additional Options on PAGE 2



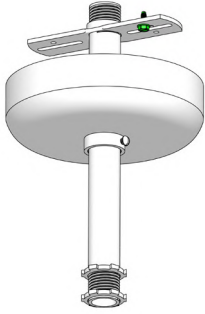
# The Americana Collection

## RICHMOND PENDANT

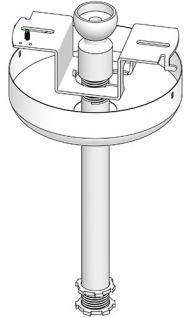
Indoor — Cylinder / Pendant Luminaire

### MOUNTING OPTIONS

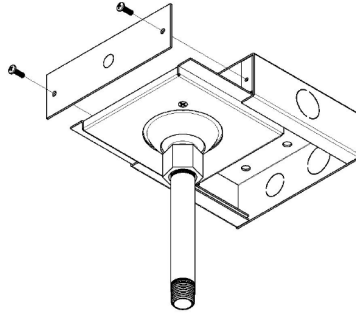
**ST24 - Static Canopy**  
(Not to be used on Sloped Ceiling)



**SW24 - Swivel Canopy**



**RMB - Rapid Mount Surface Box**  
(for surface conduit applications)



### CONTROL OPTIONS

**Note: 0-10V 100%-30% is Standard**

0-10D1 0-10VDC LED Dimming Driver (100-10%)

0-10D2 0-10VDC LED Dimming Driver (100-1%)

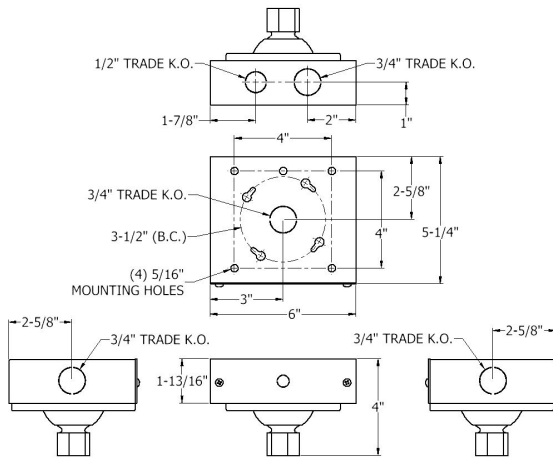
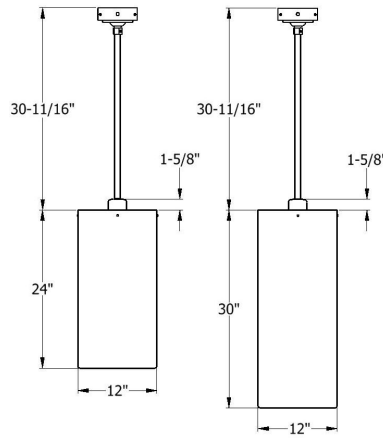
### MISC OPTIONS

FUS Single Fusing

### (RMB) MOUNTING



Dimensions Shown for Custom 24" Stem Length



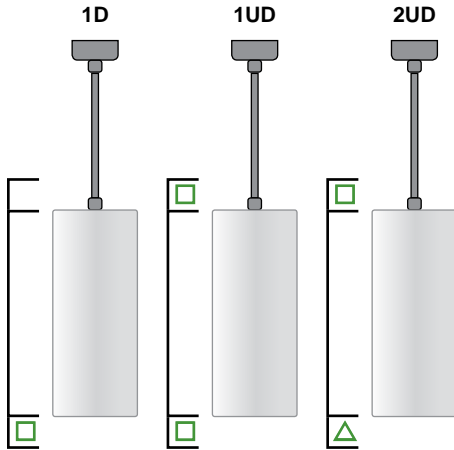
## CONTROL SCENARIO

- = Circuit #1
- △ = Circuit #2

Examples: 1D = Downlight Only

1UD = Uplight / Downlight - Single Control

2UD = Uplight / Downlight - Separate Control

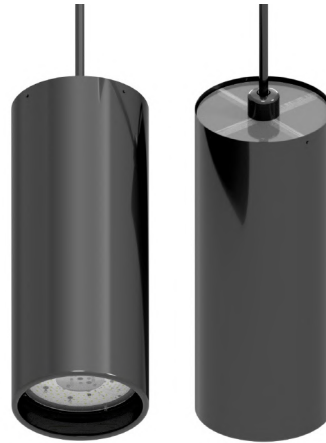


## TOP & BOTTOM LENSING (Required)

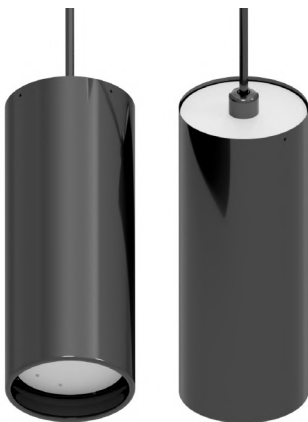
Open Top (OT) and/or Open Bottom (OB)  
*(Not available for Damp or Wet Installations)*



Clear Top (CT) and/or Clear Bottom (CB)



Translucent Top (TT) and/or Translucent Bottom (TB)



Opaque Top (OQT)

