

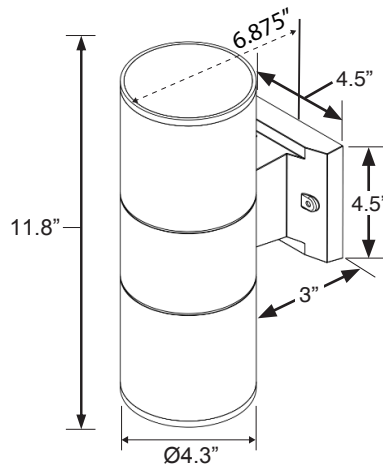


The Cylinder Collection BAKERSFIELD 3

Indoor/Outdoor – LED



Shown with Optional
Blue Lens Filter and PNA Finish



order example:
BF3-UP15/DN15-CT5-120-BZ-LF-B

SERIES

BF3 Bakersfield 3 Series

LED WATTAGE

NOTE: Built-in Internal Switch for Up/Down Light or Down Light Only

- UP15/ DN15 – Up Light 15 Watt and Down Light 15 Watt
- DN15 – *NON-Dark Sky Compliant*
- UP15 – Up Light 15 Watt
- *NON-Dark Sky Compliant*
- DN15 – Downlight Light 15 Watt
- *Dark Sky Compliant*

LED COLOR TEMPERATURE

- CT3 ±3000K LED Color Temp
- CT4 ±4000K LED Color Temp
- CT5 ±5000K LED Color Temp

VOLTAGE

120 120 Volt

STANDARD FINISH

- BK Black
- BZ Bronze – *STANDARD*
- PA Painted Aluminum
- WHT White

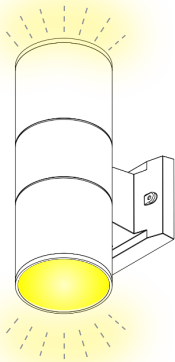
PREMIUM UPCHARGE FINISH

- CC Custom Color (Visit www.ralcolor.com)
- Provide RAL# or Make-to-Match Color Chip
- +NAT Epoxy Coating for Natatorium

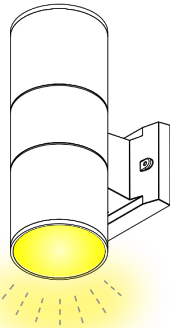
OPTIONS

- LF Lens Filter
- Colors:
- Red (R) / Blue (B) / Green (G) / Amber (A)
- Order Example: Lens Filter Red (LF-R)
- NOTE: Lens Filter Compatible with 4000K Only**

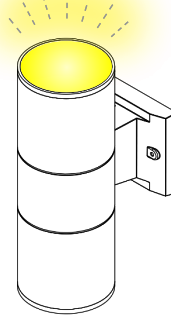
SWITCHABLE LIGHT MODES



UP/DOWN LIGHT MODE
Up Light = 15 Watt
Down Light = 15 Watt
Total Wattage = 30 Watt
NON-Dark Sky Compliant



DOWN LIGHT ONLY MODE
Up Light = N/A
Down Light = 15 Watt
Total Wattage = 15 Watt
Dark Sky Compliant



UP LIGHT ONLY MODE
Up Light = 15 Watt
Down Light = N/A
Total Wattage = 15 Watt
NON-Dark Sky Compliant

Catalog Number	
Project Name & Location	Type

Product Specifications

APPLICATIONS: Assisted Living, Breezeway, Egress, Hospitality, Natatoriums, Public Pools, Residential Single/Multi-Unit Apartment Complexes, Retail, Schools, Security, Stairwells, Strip Centers.

COLOR RENDERING INDEX: ≥80.

DRIVER: 120AC Voltage (50/60Hz).

EFFICACY: 82lm/W (2,446 to 2,509 nominal lumens).

FINISH: Durable Powder Coat Bronze (BZ) finish applied over pre-treated surfaces.

HOUSING: Open heavy gauge aluminum cylinder.

LIGHT ENGINE: Energy Efficient LED is standard. Built-in internal switch allows user to choose between Up/Down Light or Down Light Only (Dark Sky Compliant).

LENS: Clear Tempered Glass.

LIFETIME: 50,000hrs with at least 70% of initial lumen output (L70).

MOUNTING: Wall Mount featuring Arm.

POWER FACTOR: ≥ 0.90

COMPLIANCE: Built to comply with U.S. and Canadian Safety Standards. Complies with FCC Part 15, Class B. Complies with EN61000-4-5, surge immunity protection (1kV). RoHS Compliant. Suitable for Wet Locations.

WARRANTY: 5-Year Limited Warranty.

APPLICATION IMAGES



ELECTRICAL DATA

Color Temp	CRI ¹	Luminaire Lumens	Luminaire Watts	Lumens Per Watt	Input Voltage	Input Current (A)			Power Factor	THD ²	L ₇₀ Hours ³
						120V	240V	277V			
3000K	> 80	2,446	30W	82	120V	0.25	N/A	N/A	> 90%	< 50%	50,000
4000K	> 80	2,467	30W	82	120V	0.25	N/A	N/A	> 90%	< 50%	50,000
5000K	> 80	2,509	30W	82	120V	0.25	N/A	N/A	> 90%	< 50%	50,000

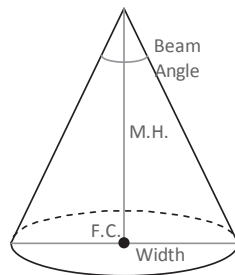
NOTES:

- 1** Color Rendering Index
- 2** Total Harmonic Distortion
- 3** L₇₀ refers to the number of hours at which lumen output declines to 70% of the initial level. L₇₀ hours are IES TM-21-11 calculated hours.

PHOTOMETRIC DATA

Luminaire Data	
Description	Up/Down Cylinder, 3K
Total Lumens	2,509
Input Wattage	30
Efficacy (lm/W)	82
Beam Angle	H=45.1, V=45.1
Field Angle	H=86.9, V=86.9

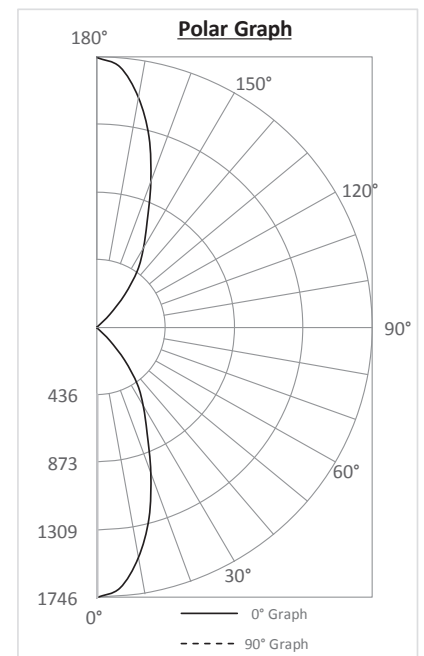
Cone of Light



M.H.	F.C.	Width
4'	109	3.3'
6'	48	5.0'
8'	27	6.6'
10'	17	8.3'
12'	12	10.0'
14'	9	11.6'
16'	7	13.3'

Candela Table (lm)

0°	1,746
10°	1,512
20°	997
30°	589
40°	277
50°	22
60°	6
70°	4
80°	4
90°	0
100°	4
110°	4
120°	6
130°	22
140°	277
150°	589
160°	997
170°	1,512
180°	1,745



Zonal Lumen Summary		
Zone	Lumens	%Fixt
0-20°	506	20.2%
0-30°	858	34.2%
0-40°	1,131	45.1%
0-60°	1,243	49.6%
0-80°	1,253	49.9%
0-90°	1,254	50.0%
90-180°	1,254	50.0%
0-180°	2,509	100.0%