



# High Abuse Linear Collection E72-N · E74-N (Selectable Wattage/CCT)

Vandal Resistant Narrow Linear Luminaire — Selectable Wattage / CCT



**order example:**  
E74-N-SLED-SCCT-UNV-WHT-OCC

**SERIES**  
E72-N 2 Foot Linear E74 Narrow Series  
E74-N 4 Foot Linear E74 Narrow Series

**LED WATTAGE**  
SLED \*Selectable LED Wattage  
– E72-N: 20W | 30W | 40W  
– E74-N: 35W | 42W | 50W

**LED COLOR TEMPERATURE**  
SCCT \*Selectable CCT  
– 3000K | 4000K | 5000K

**VOLTAGE**  
UNV 120–277 Universal Volt Electronic Driver  
– Non-Dimmable

**STANDARD FINISH**  
WHT White

**PREMIUM UPCHARGE FINISH**  
BK Black  
BZ Bronze  
SV Silver Gray  
CC Custom Color (Visit [www.ralcolor.com](http://www.ralcolor.com))  
– Provide RAL# or Make-to-Match Color Chip

**CONDUIT ADAPTER BACK BOX OPTIONS**  
CAX2 Conduit Adapter Back Box for 2-Foot  
CAX4 Conduit Adapter Back Box for 4-Foot

**SENSOR OPTIONS**  
OCC Occupancy Sensing / Motion Sensor Integral  
– Stand-by Dimming Level Presets: ON/OFF  
– Max mounting height is 18 feet

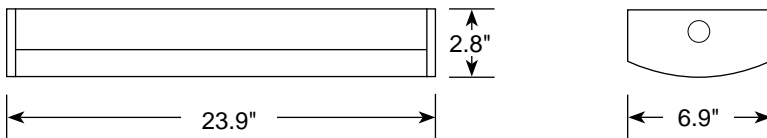
**EMERGENCY BATTERY OPTIONS**  
EM10W Integral 10 Watt Emergency Battery

**MISC OPTIONS**  
TDM Tandem Joined Fixtures  
– Requires Conduit Back Box (CA)

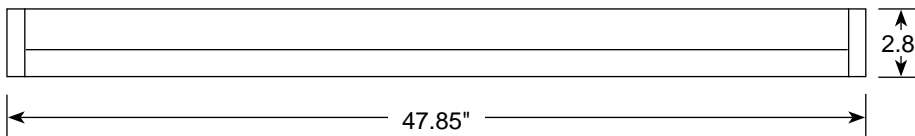
**\*NOTE:** Fixtures will ship from factory at lowest wattage and warmest CCT. It is the installer's responsibility to set the fixture at the desired wattage and CCT for their project.

## DIMENSIONS

### E72-N



### E74-N



Catalog Number	
Project Name & Location	Type

## Product Specifications

**APPLICATIONS:** Stairwells, Locker Rooms, Corridors, Hallways, Lavatories.

**DRIVER:** Universal volt (120-277v) electronic driver.

**FASTENERS:** Flat head stainless steel torx screws.

**FINISH:** Polyester powder coated finish.

**HOUSING:** Aluminum housing and heatsink.

**LENS:** Polycarbonate translucent lens for uniform light distribution.

**LIGHT ENGINE:** Energy Efficient LED - Selectable Wattage / CCT.

**MOUNTING:** Mounts to ceiling J-BOX via pre-cut mounting holes.

**COMPLIANCE:** Built to comply with U.S. and Canadian Safety Standards.

Complies with CE, CB, SAA, and the Buy American Act. ETL listed and suitable for indoor wet locations (covered ceiling).

**WARRANTY:** 5-year Limited Warranty.



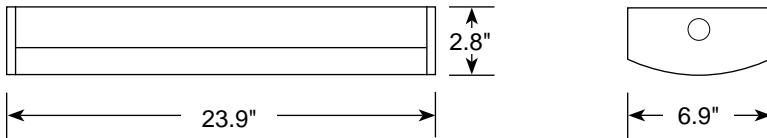
# High Abuse Linear Collection E72-N · E74-N (Static Wattage/CCT)

Vandal Resistant Narrow Linear Luminaire — Static Wattage / CCT

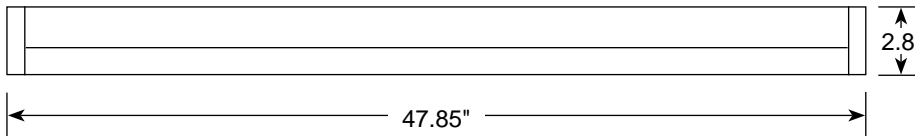


## DIMENSIONS

### E72-N



### E74-N



Catalog Number	
Project Name & Location	Type

## order example:

E74-N-LED50-CT4-UNV-WHT-0-10D2

### SERIES

- E72-N 2 Foot Linear E74 Narrow Series
- E74-N 4 Foot Linear E74 Narrow Series

### LED WATTAGE

#### E72-N Wattages

- LED20 20 Watt LED
- LED30 30 Watt LED
- LED40 40 Watt LED

#### E74-N Wattages

- LED30 30 Watt LED
- LED40 40 Watt LED
- LED50 50 Watt LED

### LED COLOR TEMPERATURE

- CT3 ±3000K LED Color Temp
- CT35 ±3500K LED Color Temp
- CT4 ±4000K LED Color Temp
- CT5 ±5000K LED Color Temp

### VOLTAGE

- UNV 120-277 Universal Volt Electronic Driver  
– 0-10V Dimming (100-30%) is Standard

### STANDARD FINISH

- WHT White

### PREMIUM UPCHARGE FINISH

- BK Black
- BZ Bronze
- SV Silver Gray
- CC Custom Color (Visit [www.ralcolor.com](http://www.ralcolor.com))  
– Provide RAL# or Make-to-Match Color Chip

### CONDUIT ADAPTER BACK BOX OPTIONS

- CAX2 Conduit Adapter Back Box for 2-Foot
- CAX4 Conduit Adapter Back Box for 4-Foot

### CONTROL OPTIONS (Choose from Manual or Sensor)

#### MANUAL CONTROL (Wall Switch or Control System)

Note: Cannot be used with Sensor Controls Below  
Note: 0-10V (100-30%) Dimming is Standard

- 0-10D1 0-10VDC LED Dimming Driver (100-10%)
- 0-10D2 0-10VDC LED Dimming Driver (100-1%)

OR

#### SENSOR CONTROL (Sensor Integral to Fixture)

Note: Cannot be used with Manual Controls Above  
Note: Motion Sensor Max Mounting Height 18-Feet

- OCC Occupancy Sensing / Motion Sensor Integral  
– Stand-by Dimming Level Presets: ON/OFF  
– Max mounting height is 18 feet
- BLD Bi-Level Dimming - Motion Sensor Integral  
– Stand-by Dimming Level Presets:  
10% / 20% / 30% / 50%  
– Max mounting height is 18 feet

### EMERGENCY BATTERY OPTIONS

- EM10W Integral 10 Watt Emergency Battery

### MISC OPTIONS

- TDM Tandem Joined Fixtures  
– Requires Conduit Back Box (CA)

### ACCESSORY OPTIONS

#### Order As A Separate Line

- REMT0019 Remote Controller for BLD Sensor Option

## Product Specifications

**APPLICATIONS:** Stairwells, Locker Rooms, Corridors, Hallways, Lavatories.

**DRIVER:** Universal volt (120-277v) electronic driver.

**FASTENERS:** Flat head stainless steel torx screws.

**FINISH:** Polyester powder coated finish.

**HOUSING:** Aluminum housing and heatsink.

**LENS:** Polycarbonate translucent lens for uniform light distribution.

**LIGHT ENGINE:** Energy Efficient LED - Static Wattage / CCT.

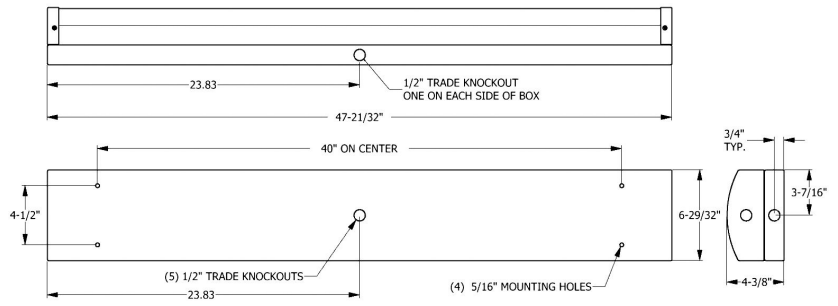
**MOUNTING:** Mounts to ceiling J-BOX via pre-cut mounting holes.

**COMPLIANCE:** Built to comply with U.S. and Canadian Safety Standards.

Complies with CE, CB, SAA, and the Buy American Act. ETL listed and suitable for indoor wet locations (covered ceiling).

**WARRANTY:** 5-year Limited Warranty.

### BACK BOX OPTION



### PHOTOMETRIC DATA

Summary of Results   E74-N-LED42-4K-UNV					
Lumen Output	Efficacy	Input Power	CCT	Distribution	BUG Rating
5,668.6 Lumens	129.4 Lm/W	43.79W	4000K	Type VS	B2-U3-G2

LCS Summary	
Zone	Lumens
Forward Low (0-30)	680.6
Forward Medium (30-60)	1309.1
Forward High (60-80)	551.0
Forward Very High (80-90)	114.2
Back Low (0-30)	683.9
Back Medium (30-60)	1323.6
Back High (60-80)	560.6
Back Very High (80-90)	117.1
Up Low (90-100)	116.5
Up High (100-180)	212.0

